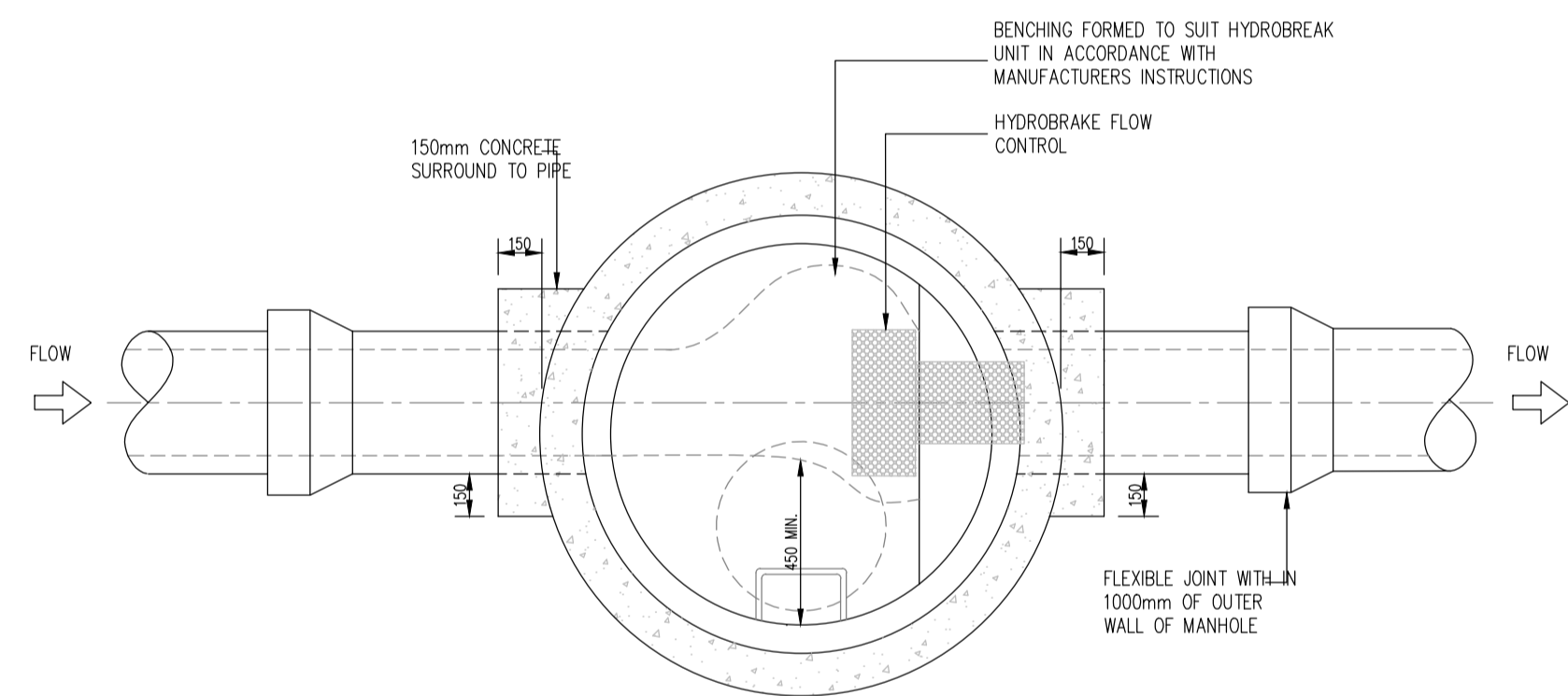
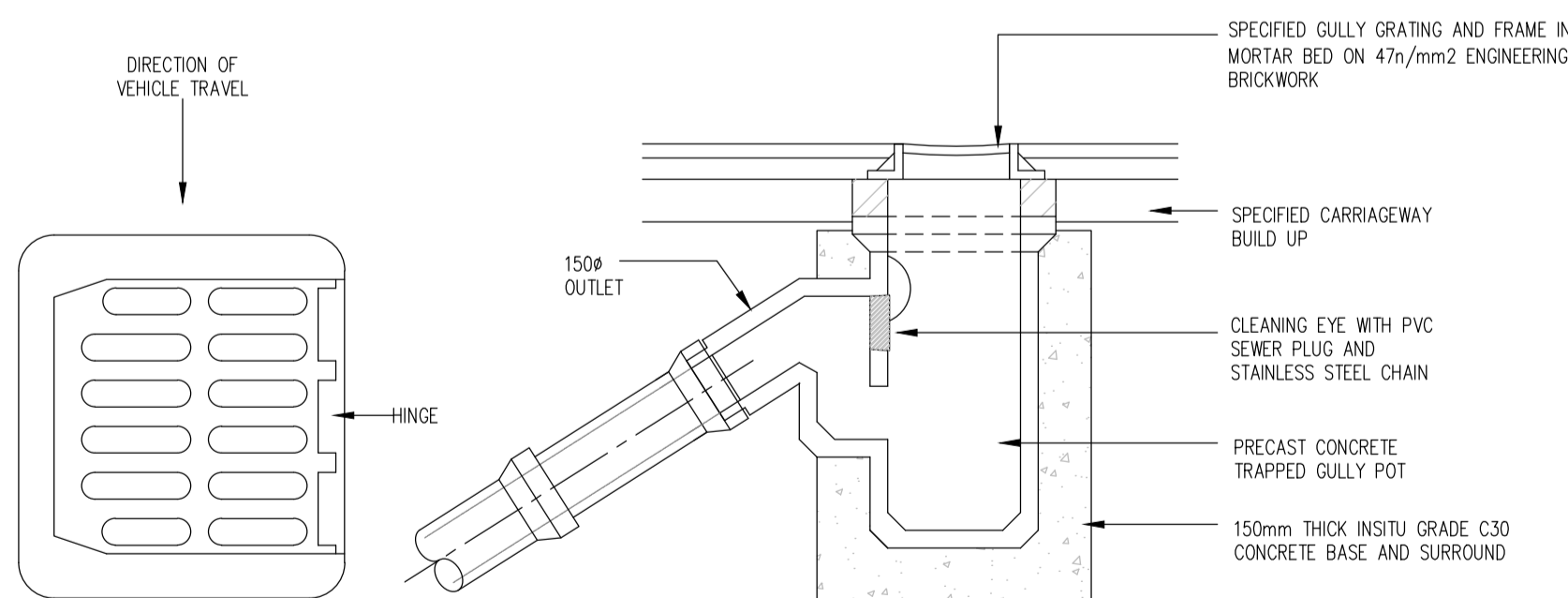


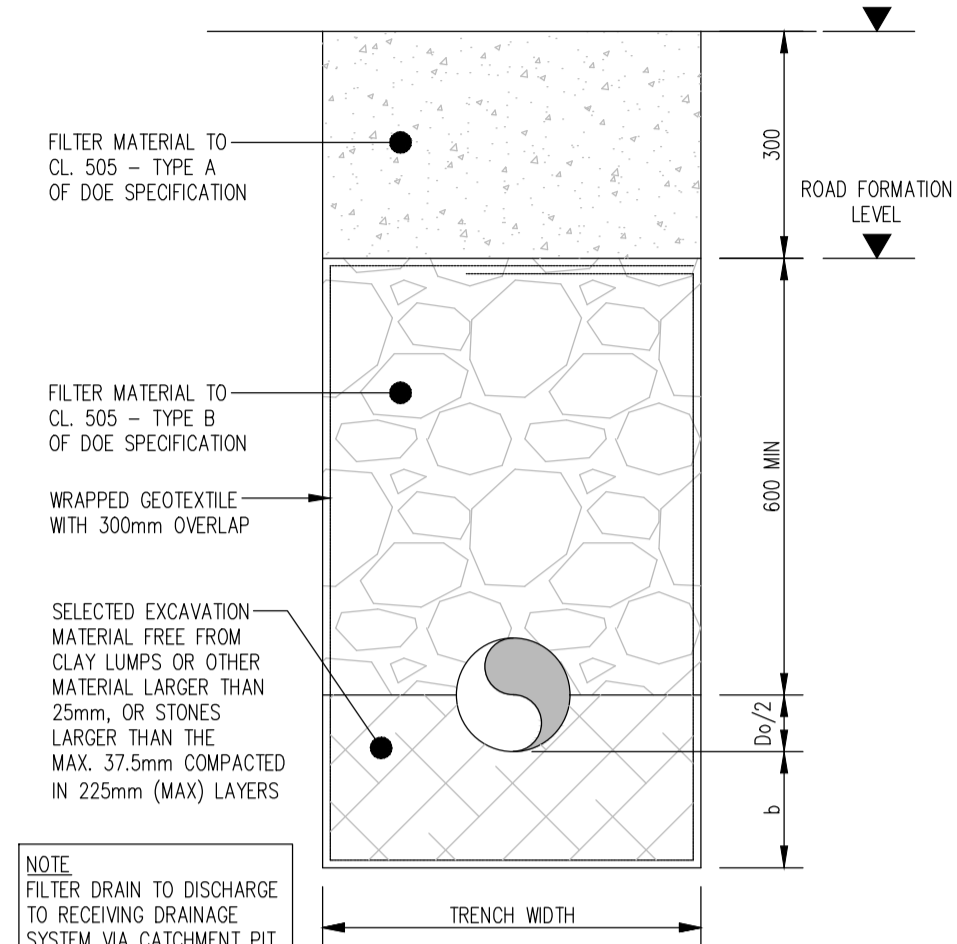
**HYDROBRAKE CHAMBER**  
MAX. DEPTH G.L. TO I.L. - 3.0m  
SCALE 1:25



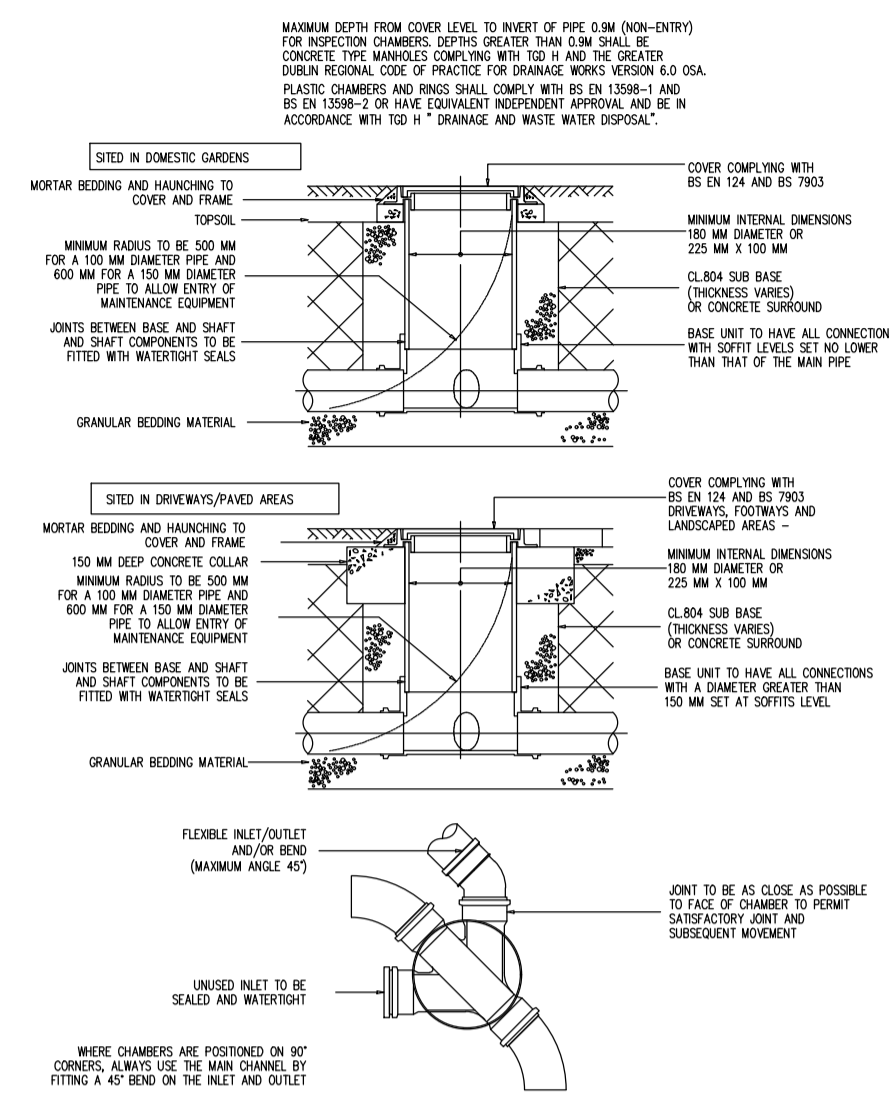
**PLAN ON HYDROBRAKE CHAMBER**  
MAX. DEPTH G.L. TO I.L. - 3.0m  
SCALE 1:25



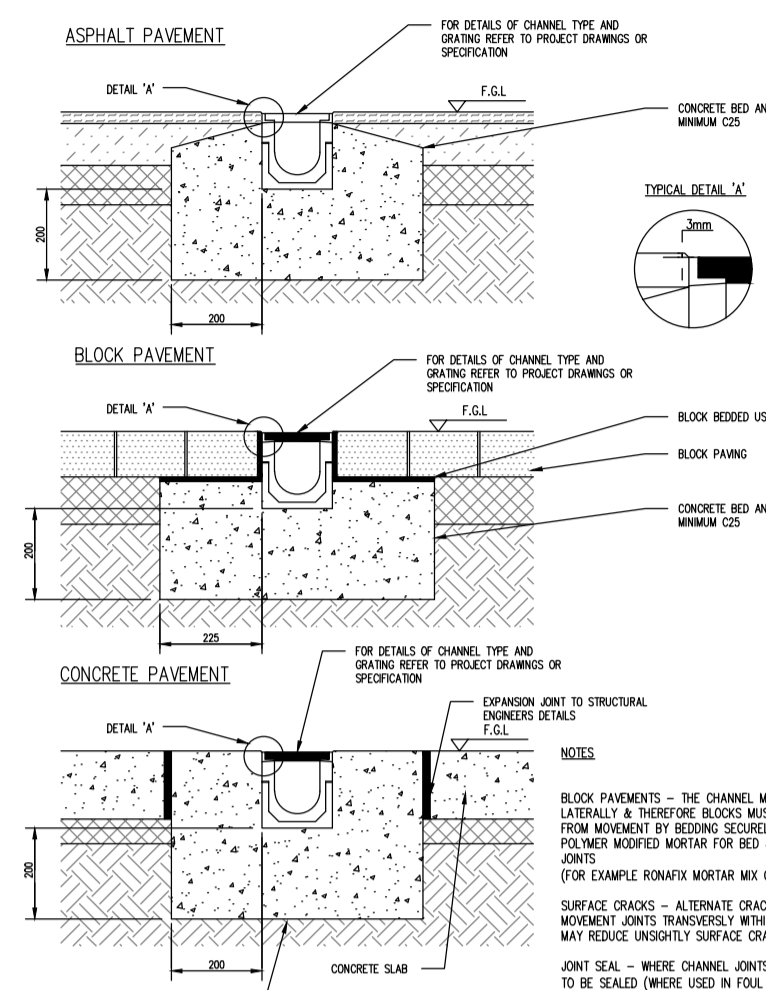
**PRECAST CONCRETE TRAPPED GULLY POT**  
SCALE 1:20



**FILTER DRAINS**  
SCALE : 1/10

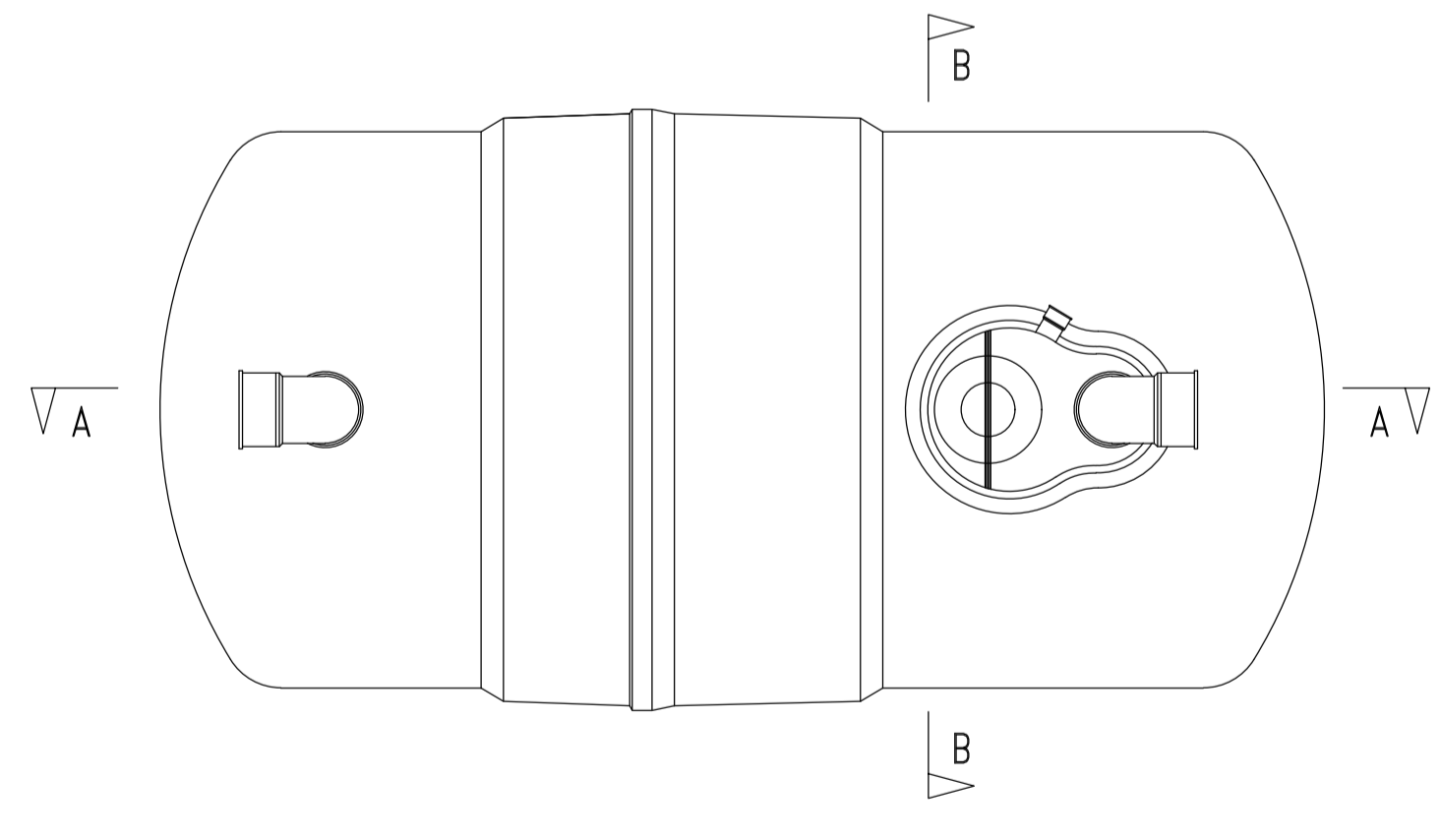


**TYPICAL ARMSTRONG JUNCTION CHAMBER DETAIL**  
- (FROM HYDROBRAKE) NOT TO SCALE

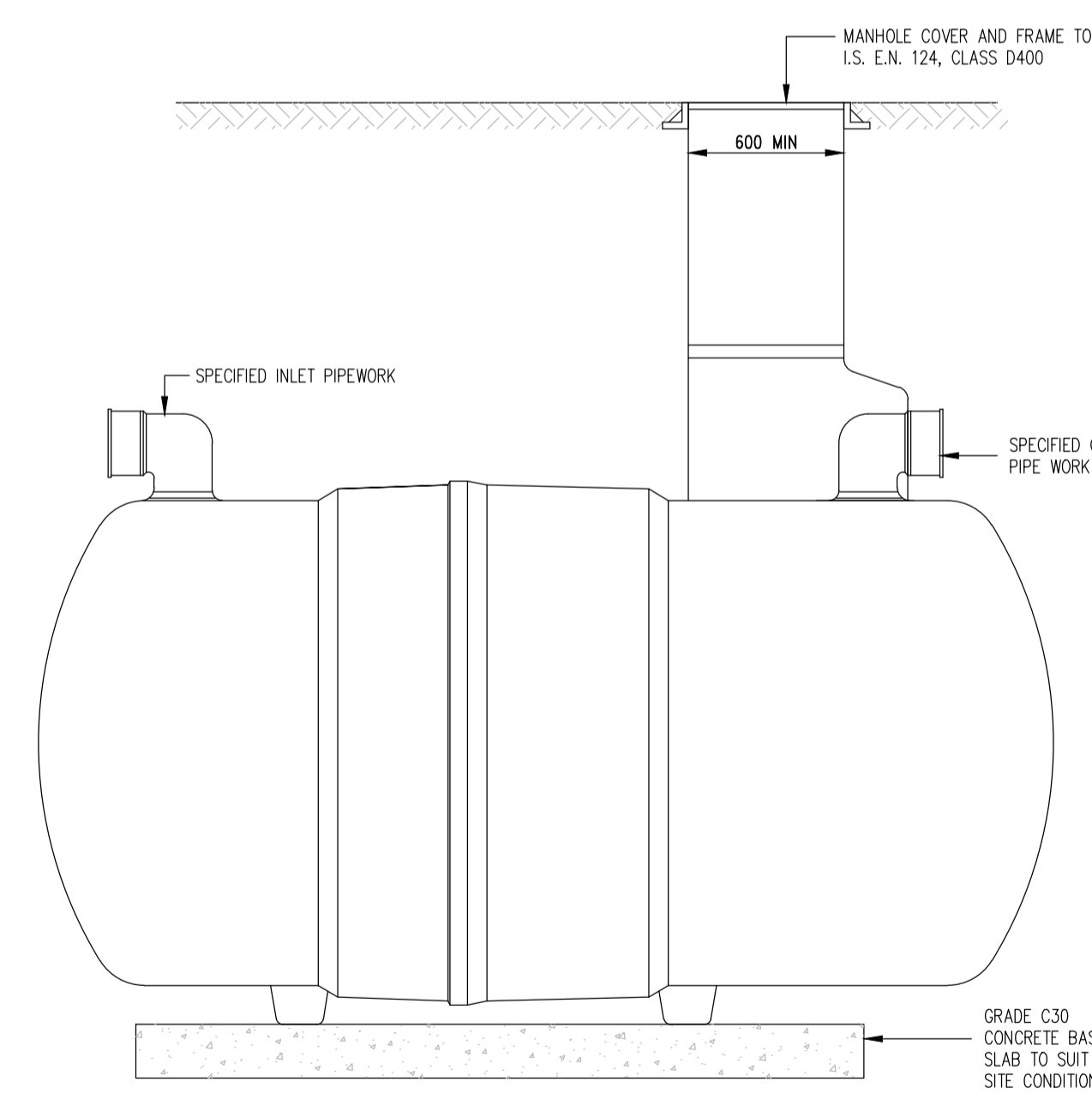


**TYPICAL CHANNEL DETAILS**  
NOT TO SCALE

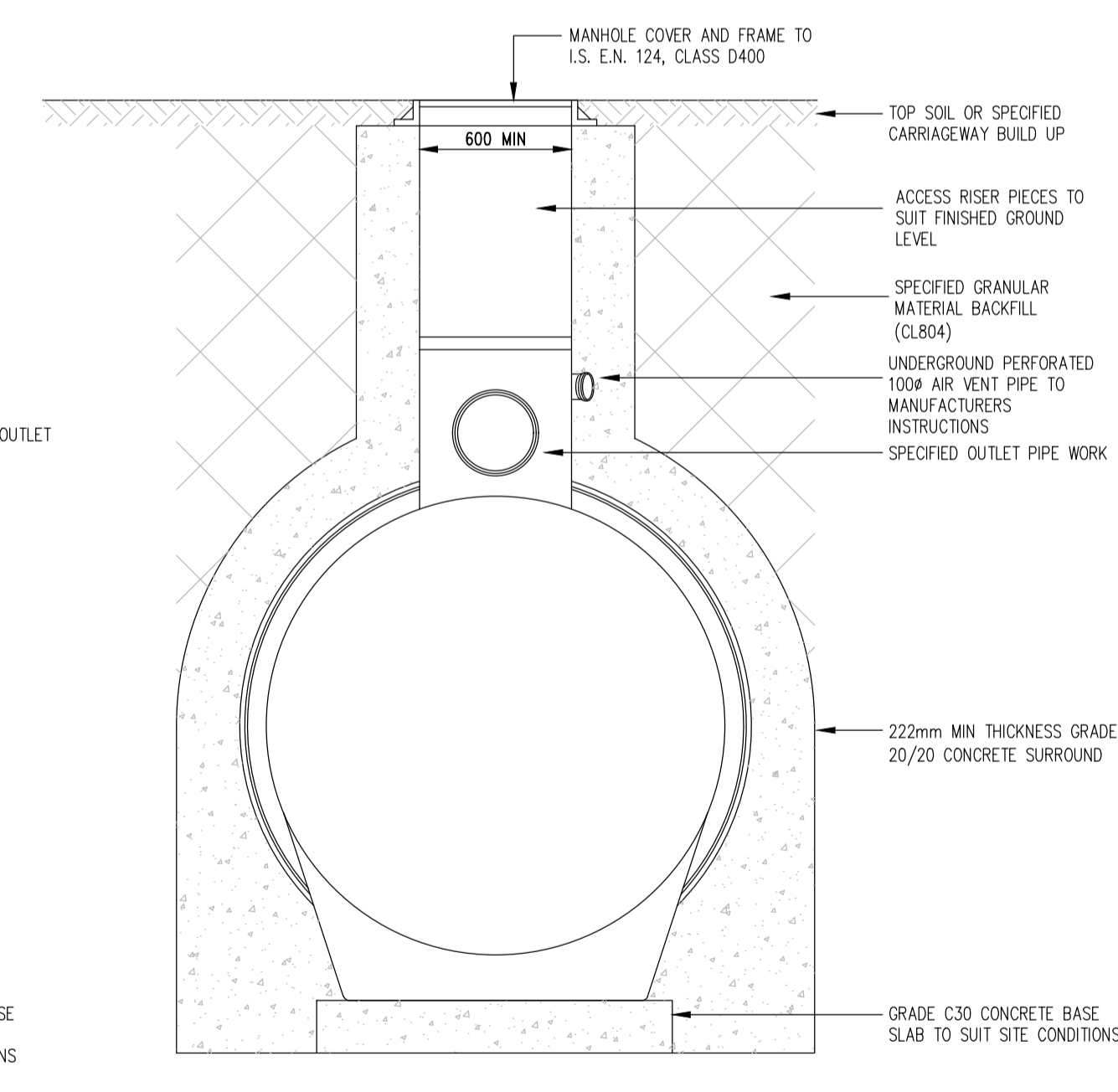
- NOTES :**
- DO NOT SCALE FROM THIS DRAWING USE STATED DIMENSIONS ONLY. IF IN DOUBT CONSULT THE ENGINEER.
  - LEVELS REFER TO O.S. DATUM MALIN HEAD.
  - THIS DRAWING SHALL BE READ IN CONJUNCTION WITH THE ALL OF THE CONTRACT DOCUMENTS IN PARTICULAR THE ARCHITECT'S, LANDSCAPE ARCHITECT'S AND SERVICE ENGINEER'S SITE LAYOUT DRAWINGS.
  - ALL CIVIL WORKS SHALL BE COMPLETED IN ACCORDANCE WITH SPECIFICATIONS.
  - THE CONTRACTOR IS SOLELY RESPONSIBLE FOR LOCATING, PROTECTING AND MAINTAINING ALL EXISTING SERVICES WITHIN THE SITE BOUNDARY. THE ENGINEER HAS SHOWN KNOW SERVICES ON THE DRAWINGS BUT GIVES NO GUARANTEE THAT THESE ARE THE ONLY SERVICES WITHIN THE SITE BOUNDARY. THE CONTRACTOR SHALL CONTACT THE RELEVANT STATUTORY AND PRIVATE UTILITY COMPANIES AND CONFIRM THE LOCATION OF THEIR PLANT FOR HIMSELF.
  - THE CONTRACTOR SHALL NOTIFY THE ENGINEER IN WRITING OF THE NAME AND LOCATION OF ALL TIPS USED FOR THE DISPOSAL OF MATERIAL OFF SITE.
  - THE CONTRACTOR SHALL ENSURE THAT ADEQUATE PROVISIONS ARE IN PLACE TO PREVENT THE SPREAD OF DIRT, MUD AND SITE MATERIAL ON THE PUBLIC ROAD. THE CONTRACTOR SHALL ENSURE THAT THE PUBLIC ROADS AROUND THE SITE ARE CLEANED ON A REGULAR BASIS, OR AS DIRECTED BY THE ENGINEER, WITH A MECHANICAL SUCTION SWEEPER.
  - THE CONTRACTOR SHALL TAKE ALL NECESSARY PRECAUTIONS TO ENSURE THAT NOISE AND DUST ARE MINIMISED.
  - BLINDING CONCRETE SHALL BE GRADE 15N20. BLINDING SHALL BE A MINIMUM OF 100MM THICK. ALL STRUCTURAL CONCRETE SHALL BE GRADE 30N20 UNLESS SPECIFIED OTHERWISE ELSEWHERE.
  - ALL EXPOSED CONCRETE FINISHES SHOULD BE FAIR FACED FINISHES UNLESS SPECIFIED OTHERWISE ELSEWHERE.
  - HANDRAILS SHALL BE GRADE 316 STAINLESS STEEL. SHOP DRAWINGS SHALL BE SUBMITTED FOR APPROVAL PRIOR TO MANUFACTURE.



**KLARGESTER CLASS 1 INTERCEPTOR (O.S.A.)**  
PLAN VIEW  
SCALE 1:25



**KLARGESTER CLASS 1 INTERCEPTOR (O.S.A.)**  
SECTION A-A  
SCALE 1:25



**KLARGESTER CLASS 1 INTERCEPTOR (O.S.A.)**  
SECTION B-B  
SCALE 1:25

C215

**PLANNING DRAWING.**  
NOT FOR CONSTRUCTION.  
ALL LEVELS GIVEN ARE  
RELATIVE TO ORDINANCE DATUM.  
THIS DRAWING HAS BEEN ISSUED FOR INFORMATION  
PURPOSES ONLY AND MUST NOT BE USED  
FOR CONSTRUCTION UNDER ANY CIRCUMSTANCES

- NOTES**
- For setting out refer to Architect's drawings.
  - This drawing to be read in conjunction with all other Architectural and Engineering drawings and all other relevant drawings and Specifications.
  - DO NOT SCALE THIS DRAWING. Use figured dimensions only.
  - No part of this document may be reproduced or transmitted in any form or stored in any retrieval system of any nature without the written permission as copyright holder except as agreed for use on the project for which the document was originally issued.
  - Ordnance Survey Ireland Licence Number EN 0074025

Rev. No.	Date	REVISION NOTE	Dim. By	Chkd. By
P1	31.01.2025	LRD PLANNING ISSUE	AB	GL

Architect	CCK Architects			
Project	Development at Former Teagasc Lands Kinsealy, Co. Dublin			
Title	Drainage Details Sheet 3 of 3			
Dwg. No.	C215-CSC-00-XX-DR-C-0018			
Date	Dim by	Chkd by	Appr'd by	Scale
Sep 2024	AB	GL	AS	AS SHOWN @ A1
Revision				P1

**CS Consulting Group**  
DUBLIN | LONDON | LIMERICK

Head Office  
19-22 Dame Street, Dublin 2.  
T: +353 (0)1 5480863  
E: info@csconsulting.ie  
W: www.csconsulting.ie

Quality  
Environment  
Energy  
Health & Safety

IS EN ISO 9001:2008  
IS EN ISO 14001:2004  
IS EN ISO 50001:2011  
OHSAS 18001:2007